

Stereo-Zoom Microscopes

Olympus Systems

OUR FINEST
ESD SYSTEMS

Our Vision Brings You Into The 21st Century



O.C. White Co.
Quality Since 1894

OLYMPUS
MICROSCOPES



EXCELLENT
PRISM
OPTICS

Our fine **Olympus microscope systems**, provide an excellent image resulting from prisms. Extra wide eyepieces provide an enlarged view while preserving a crystal clear image and an excellent depth of field. Eyepieces are tilted at a 45° angle for reduced neck fatigue.

A superior zoom range from 4-40X is standard but optional eyepieces and objective lenses allow a total magnification range up to 200X. Our finest system. Each system includes a .5X lens for increased working distance and a choice of light sources. Color filters and polarizer available separately.

Our fluorescent light is **ESD safe**, and electronic, which allows flicker-free, shadowless illumination on high and low levels. The FL100 (5600K°) glare-free bulb is standard. A FL150 deluxe white bulb



#TKVB-040

(6100K°) is available for brighter illumination or machine vision needs. Also available in ultra-violet (#FL-200) and yellow (#FL300 for photo resist. Also, a 3200K° bulb (#FL320) mimics fiberoptic lighting.

- SZ-445-E2
- 10X eyepieces
- .5X lens
- 48 lb boom stand
- FL1000 fluorescent light

ERGONOMIC



#TK040-A

- SZ-445-E2 Olympus
- 10X eyepieces
- .5X Lens
- 48 lb. adjustable stand
- **ESD FL3000A-6A** fiberoptic light



#TK040-QVABL

- SZ-445-E2 Olympus
- 10X eyepieces
- .5X Lens
- 48 lb. adjustable stand
- **ESD FL3000-QVABL** backlight



#TK040-D

- SZ-445-E2 Olympus
- 10X eyepieces
- .5X Lens
- 48 lb. adjustable stand
- **ESD FL3000D** dual point light



#TK040-SMS

- SZ-445-E2 Olympus
- 10X eyepieces
- .5X Lens
- Heavy duty 37" articulating flex arm clamp-on arms.
- **ESD FL1000** Fluorescent Light

O. C. White Company, Inc.
 2039 Bridge Street, Three Rivers, MA 01080
 Phone 1 413-289-1751 . Fax 1 413-289-1754
<http://www.ocwhite.com>



Features

- ESD safe Construction
- Excellent ESD POD (#SZ-445-E2)
- Greenough optics for improved flatness & contrast
- 45° viewing angle
- Interpupil adjustment (50-76mm)
- Long working distance (110mm)
- Quick zoom 4-40X, higher optional
- Large 10X eyepieces (22 mm wide)
- Variety of bases, for ESD safety
- Quality ESD safe lights
- 5 year optical warranty
- Tri-nocular image port may be added for video or photography

Accessories

- 2-S440-E ESD (10X eyepieces)
- 2-S442 GSWH-15X (15X eyepieces)
- 2-S445 GSWH-20X (20X eyepieces)
- 1-S819 (.5X lens)
- AF-5801 eyeguards
- S-0266E ESD focus arms

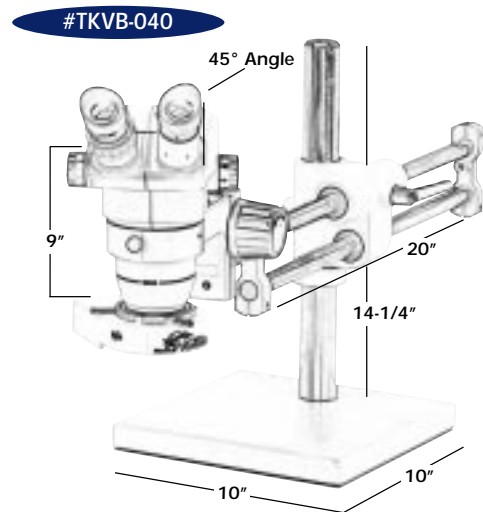
Tri-Nocular Accessories

- Image port (#S-0141)
- Video adapter (#SZ-CTV)

Electrical Specs

- 120 volt 60 HTZ
- 230 volt optional
- 15 watt fluorescent (#FL1000-6A) (#FL-100 bulb) UL/CUL/CE
- Optional white bulb (#FL150)
- Optional UV (blacklight #FL200)
- Optional yellow bulb (#FL300)
- 150 watt fiberoptics
- EKE bulb (#FL400) 21 Volt
- Optional DDL bulb (#FL500)
- CE approved available

Mechanical Specs



► Most Popular

Product #	SZ4045	Eyepieces 10X	Lights Available			Bases Available			Finish Lt. Grey
			Fluorescent FL1000-6A	Fiberoptic FL3000A-6A	FL3000D	"S" Type	Flex Arm	Spring Arm	
TKVB-040	X	X	X			X			X
TKO40-A	X	X		X		X			X
TKO40-QVABL	X	X	WITH BACK LIGHT			X			X
TKO40-D	X	X			X	X			X
TKO40-SMS	X	X	X				X		X
TKO40-SMS-A	X	X		X			X		X
TKO40-SMS-D	X	X			X		X		X

Consult factory for other models/numbers/colors not listed
 * For optional eyepieces, stands and video consult factory
 * For 230 Volt, specify when ordering

www.stereo-zoom.com

Stereo-Zoom Microscopes

Meiji Systems

LIFETIME WARRANTY

Our Vision Brings You Into The 21st Century!

WHITE LIGHTS[®]
O.C. White Co.
Quality Since 1894

MEIJI
MICROSCOPES



#TKMZ-73

- 3.5X-45X
- 10X eyepieces
- Boom stand
- .5X reducing lens
- Fluorescent light

ERGONOMIC

This new ESD safe stereo microscope provides high quality zoom magnification from 2.1X-270X with optional accessories.

Excellent crisp, high resolution images and superior depth of field. Ergonomic 45° eyepieces, ESD safe construction, and various options for increased magnification, all at moderate price levels. Excellent value for high end quality.

Zoom controls on the side for easy and ergonomic use. Standard zoom from 7-45X while maintaining clear, crisp focus throughout the range.

Optional SMD inspection attachment oblique viewer #MA571, for inspection of surface mount components.



#TKMZ-A

- .7-4.5X pod
- 10X eye pieces
- Boom stand
- .5X lens
- FL3000A fiberoptic light



#TKMZ-D

- .7-4.5X pod
- 10X eye pieces
- Boom stand
- .5X lens
- FL3000D dual point light



#TKMZ-SMS

- .7-4.5X pod
- 10X eye pieces
- Articulating arm
- Boom stand
- .5X lens
- FL1000 fluorescent light



#MA571

- Oblique viewer fits any Meiji package
- Quick change over between vertical or oblique viewing
- Excellent for flat packs, chips, and all small components

Micro-Lite® Fluorescent Microscope Lighting

Our Vision Brings You Into The 21st Century

WHITE LIGHTS®
O.C. White Co.
Quality Since 1894

MICRO-LITE®
FLUORESCENT



Patent #5,757,142

Our **NEW** fully variable Micro-Lite **#FV1000**, provides all of the same superior qualities of the FL1000, but it dims from 100% to approx. 5%. This allows you to control glare, take pictures better or just simply blend better light on your individual application. Both units are available with our standard 5600°K anti-glare bulb, (#FL100) or our 6100°K bulb (#FL150), which is superior for machine vision, or our ultraviolet bulb (#FL200) for special application lighting such as conformal coating and plating voids. Also, our new (FL-320) fiberoptic type bulb mimics the 3200°K put out by fiberoptic lights.

Micro-Lite® FL1000 illuminators provide the highest quality "state of the art", advanced technology lighting in the market today. Advanced electronic circuitry allow our "patented" technology to dim these fluorescent lights like never before. Our standard 2 step dimmable unit combines hi-frequency, flicker free illumination, **ESD safety**, superior lamp technology and soft start technology to provide one of the longest lasting microscope light and bulb combinations in the world market. Dims from 100% down to approx. 60%. Normal bulb life 7500 hours.

Choose between the hi-low version (#FL1000) or our new fully variable (FV-1000). Both include our easy in, easy out bulb (exclusive Micro-Lite® base.) Takes but a few seconds to remove and replace! No exposed wires for extra safety. All lights bought separately, include a threaded or custom adapter. Please choose product number then adapter number, 120 volt and 230 volt available. (UL, cUL & CE approved.)



#FV1000

- ESD shade
- Fully variable
- Flicker free
- FL100 bulb 15W
- 2.35" I. D.
- Adapter Included (choose from chart)
- UL/cUL/CE



#FL1000

- ESD shade
- Two step hi/low
- Flicker free
- FL100 bulb 15W
- 2.35" I. D.
- Adapter included (choose from chart)
- UL/cUL

www.micro-lite.com

O. C. White Company, Inc.
 2039 Bridge Street, Three Rivers, MA 01080
 Phone 1 413-289-1751 . Fax 1 413-289-1754
<http://www.ocwhite.com>

Now Available A Micro-Lite exclusive, **aperture bulbs**, for extremely high light needs. This special design concentrates much more light funneled towards the bottom. Excellent on our new #FV1000. Our patented fully variable units adjust from 100% to 5%.

Also our fiberoptic products consist of a high quality 150 watt light box and a variety of light guides. These halogen lights produce a 3200K light color and come in annular shapes, dual or single light guides and backlights. Other light guides for cameras and special applications available. Custom light guides also available.

Features

- ESD safe light
- "Patented" (#5,757,142)
- Electronic circuitry, dimmable
- High quality, ceramic sockets
- Rare earth tri-color phosphors
- High frequency for flicker free operation 35(KZ)
- Variety of adapters
- Variety of bulbs
- Color, white

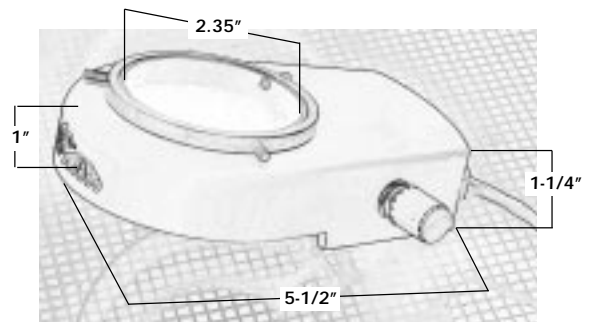
Accessories

- FL100 bulb "glare-free"
- FL150 bulb "deluxe white"
- FL200 bulb "UV"
- FL300 bulb "yellow"
- FL320 bulb "halogen style"
- **New aperture bulb**
- FA-150 for superior brightness

Electrical Specs

- 120 volt 60 HTZ
- 230 volt 50 HTZ optional
- 15 watt dimmable
- FL100 bulb standard
- UL/CUL approved/CE approved

Mechanical Specs



Adapter Chart

MFGR.	MODEL #	FL1000
Meiji	EMF-1, EMF-2, EMT-1, EMT-2	-2
	EMZ-2, EMZ-2TR EMZ-2, EMZ-5, EMZ-5TR	-0
Olympus	SZH	-1
	SZ-111, SZ-111-Tr, JM/JM-Tr, SZ-30, SZ-40, SZ-60, without Aux. Lens	-6A
Nikon	SM, SMZ, SMZ-10	-0
	SMZ-1/1B, SMZ-DOD, SMZ-2B/2T, SMZ-660 SMZ-645, SMZ-800, SMZ-1500, SMZ-1000	-11

Adapter Chart

MFGR.	MODEL #	FL1000
Unitron	ZSM	-8
	FSB	-9
Wild	M-3, M3Z Plan, M-4 M-4A, M-5A, M-7A, M7S M8, M4000	-1
Prior	ZS2500	-7A
Leica	SZ 1, 2, 3, 4, 5 and GZ4	-4
	GZ4 without Aux Lens	-4MAP
	GZ6 without Aux Lens	-4B
	SZ 6	-4A
	SZ 7	-3B
	(A) Stereostar/Zoom Models 569, 570, 580	-6B

Micro-Lite® Fiberoptic Microscope Lighting

Our Vision Brings You Into The 21st Century!



MICRO-LITE®
FIBEROPTIC



COOL
LIGHTING

Micro-Lites® new FL3000 series of 150 watt halogen light boxes and light guides provide long lasting, stable light for production and inspection work. Supplied with an EKE bulb (#FL400) standard, it is also available with a DDL bulb (#FL500) optionally. A special IR filter to reduce heat included in each unit. Solid state dimming and a universal nose piece provide easy to use, bright, soft light in a multi-functional package. Color filters available (CFK-3). **ESD safe** lights standard on all annular and dual point light guides. Special models available upon request. All voltages available. IEC molded plug for versatility and safety.



#FL3000A-4

- 150 watts
- EKE 21V
- Steel ESD
- 36" ultra-thin annular



#FL3000A

- FL3000 - 150 watt box
- 36" ultra-thin steel annular light guide
- Solid state dimming switch
- Lightweight, steel construction
- **ESD safe** construction
- FL-400 EKE bulb
- Includes adapter from chart



#FL3000D

- FL3000 - 150 watt box
- Solid state dimming switch
- Lightweight, steel construction
- 18" self-supporting flexible dual arms
- Spot lenses included
- **ESD safe** construction
- FL-400 EKE bulb



#FL3000-QVABL

- FL3000 - 150 watt box
- Solid state dimming switch
- Lightweight, steel construction
- 3" X 4" backlight with 48" reach
- Opaque plate
- **ESD safe** construction
- FL-400 EKE bulb

O. C. White Company, Inc.
 2039 Bridge Street, Three Rivers, MA 01080
 Phone 1 413-289-1751 . Fax 1 413-289-1754
<http://www.ocwhite.com>



Features

- ESD safe case
- Solid state controls
- Variable intensity
- Universal nosepiece for quick change light guides
- 150 watt halogen 3200K°
- Cool construction
- IR filter and color filter holder included
- Color filters available (CFX-3)
- Circuit protection
- Overhead protection

Accessories

- FL400 bulb (EKE)
- FL500 bulb (DDL)
- ML759 (spot lenses) for FL3000D
- CFK-3 (color filter kit)
- Individual filters
 - Red #9541 • Yellow #9543 • Green #9542
 - Blue #9544 • Daylight #9545

Optional Units

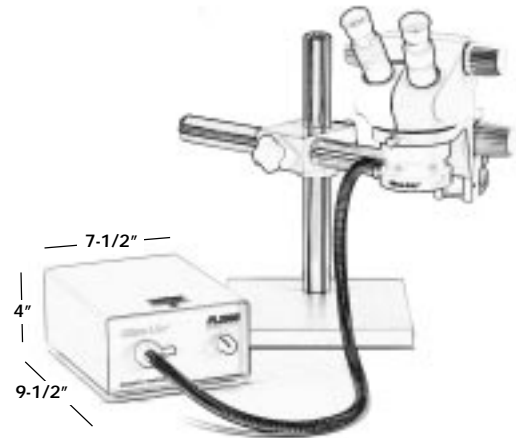
- FL3000DC
DC regulated for machine vision
- FL3000AP
Aperture controlled for precise color control

Electrical Specs

- 120 volt 60 HTZ
- 230 volt 50 HTZ optional
- 150 watt
- UL/CSA fan
- Optional cords available (see chart)
- DC unit auto switchable (100V-240V)
- 3 wire IEC cord (see chart)

Mechanical Specs

#FL3000A-4



Adapter Chart

MFGR.	MODEL #	FL3000
Meiji	EMF-1, EMF-2, EMT-1, EMT-2	-2
	EMZ-2, EMZ-2TR EMZ-2, EMZ-5, EMZ-5TR	-0
Olympus	SZH	-1
	SZ-111, SZ-111-Tr, JM/JM-Tr, SZ-30, SZ-40, SZ-60, without Aux. Lens	-6A
Nikon	SM, SMZ, SMZ-10	-0
	SMZ-1/1B, SMZ-DOD, SMZ-2B/2T, SMZ-660 SMZ-645, SMZ-800, SMZ-1500, SMZ-1000	-11

Adapter Chart

MFGR.	MODEL #	FL3000
Unitron	ZSM	-8
	FSB	-9
Wild	M-3, M3Z Plan, M-4 M-4A, M-5A, M-7A, M7S M8, M4000	-1
Prior	ZS2500	-7A
Leica	SZ 1,2,3,4,5 and GZ4	-4
	GZ4 without Aux Lens	-4MAP
	GZ6 without Aux Lens	-4B
	SZ 6	-4A
	SZ 7	-3B
	(A) Stereostar/Zoom Models 569, 570, 580	-6B